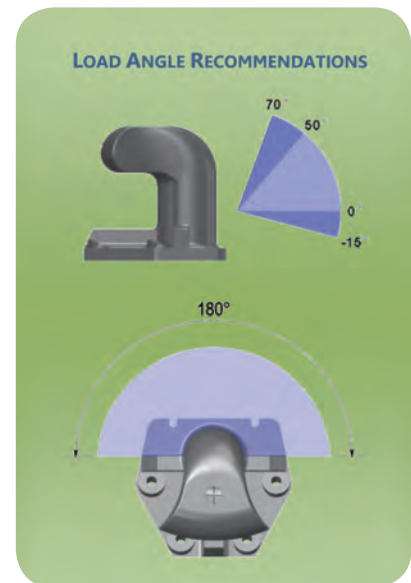
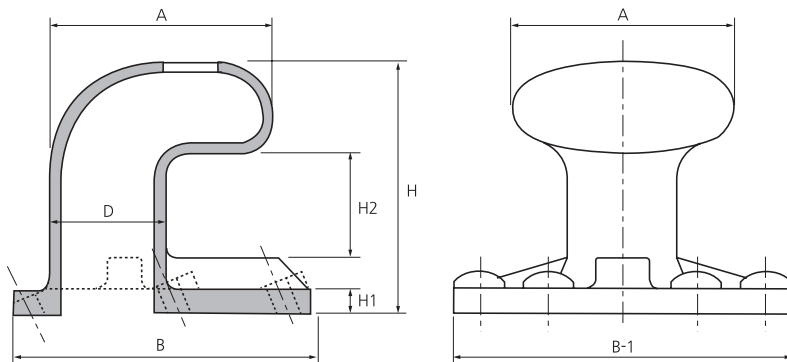


Misc & Accessories

Bollard



| Drawing |



| Dimension |

	A	B	B-1	D	H	H1	H2	Anchor DIA.	Bolt Length
5 Ton	300	360	360	150	380	30	60	20	450
10 Ton	400	480	480	200	480	40	70	27	600
15 Ton	500	600	600	250	580	50	80	33	700
25 Ton	600	720	720	300	690	65	95	42	850
35 Ton	600	720	810	300	690	65	95	42	850
50 Ton	700	840	945	350	780	70	100	48	1000
70 Ton	800	1000	1130	400	900	90	120	55	1150
100 Ton	900	1200	1365	450	990	95	125	64	1300
150 Ton	1100	1600	1765	550	1260	120	145	80	1450
200 Ton	1350	2100	2250	700	1550	150	160	120	1800

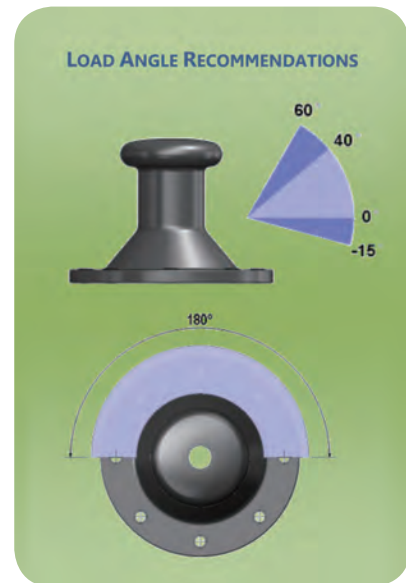
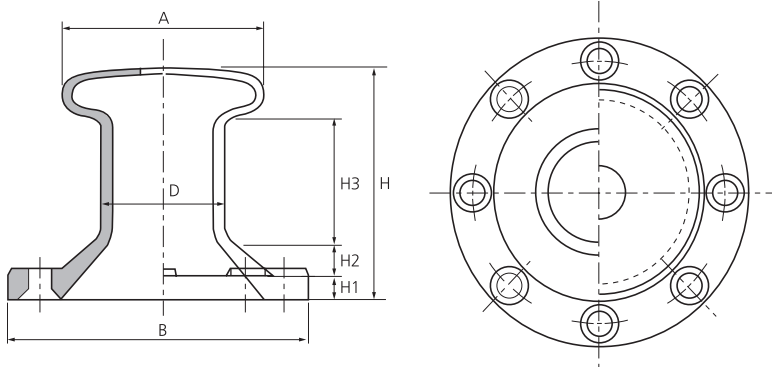
- Notes**
- All Dimensions are in mm.
 - Drawings & Pictures are for illustration purposes only & subject to change.

Misc & Accessories

Post



| Drawing |



| Dimension |

	A	B	D	H	H1	H2	H3	Anchor DIA.	Bolt Length
15 Ton	400	600	250	438	45	55	250	36	750
35 Ton	480	720	300	585	60	70	290	48	1000
50 Ton	580	840	350	613	70	90	328	58	1150
70 Ton	640	890	400	700	80	110	370	64	1300
100 Ton	720	1180	450	838	80	190	405	64	1300
150 Ton	880	1440	550	1018	100	240	485	80	1600
200 Ton	1040	1700	650	1203	110	300	565	90	1800

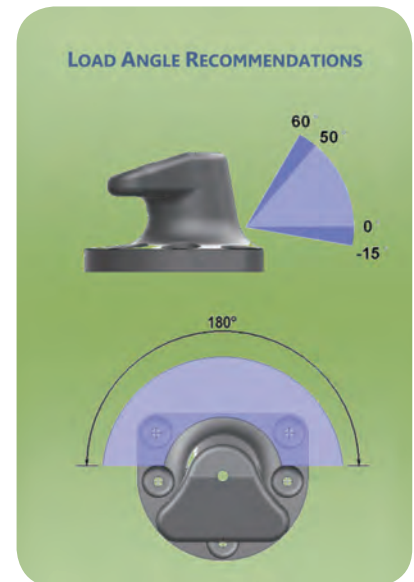
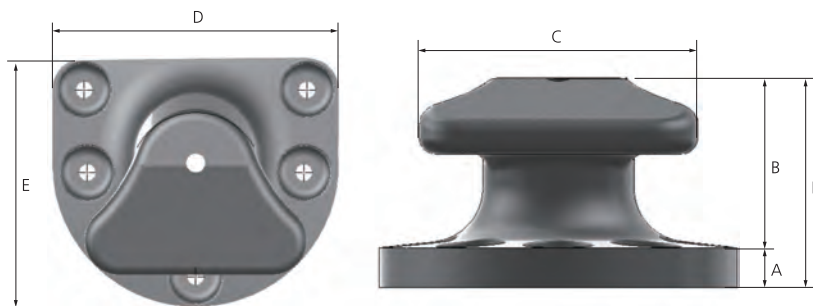
Notes • All Dimensions are in mm.
• Drawings & Pictures are for illustration purposes only & subject to change.

Tee bollard



1. Suitable for Steeper rope angles.
2. Design & safety factors can be adjusted to user requirements.

| Drawing |



| Dimension |

	A	B	C	D	E	H	Bolt Size	Bolt Length	QTY
10 Ton	45	205	300	410	335	250	M24	400	04
15 Ton	50	215	320	420	360	265	M24	500	04
20 Ton	50	240	350	430	380	290	M24	500	05
30Ton	55	250	365	455	400	305	M30	500	05
50 Ton	70	315	450	560	490	385	M36	650	05
75 Ton	80	350	515	650	565	430	M42	650	06
100 Ton	90	400	605	785	640	490	M42	650	07
125 Ton	90	450	670	840	730	535	M48	800	07
150 Ton	100	425	700	900	780	525	M48	800	07
200 Ton	100	520	760	950	830	620	M56	950	08

- Notes**
- Standard Bollard Capacity are in Tonnes.
 - Drawings & Pictures are for illustration purposes only & subject to change.