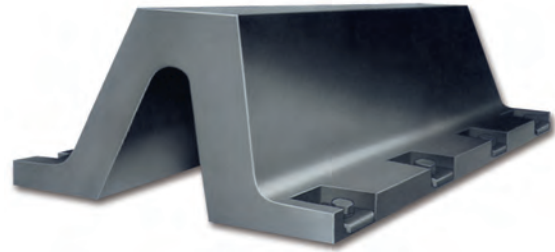


Solid Fender

OV Fender(YOV)



Feature

1. OV has a great energy absorption and low reaction force.
2. The arch type can reduce hull.
3. The arch type fender has a various size and energy capacity.
4. It is easy setup and suitable for every docking facility.

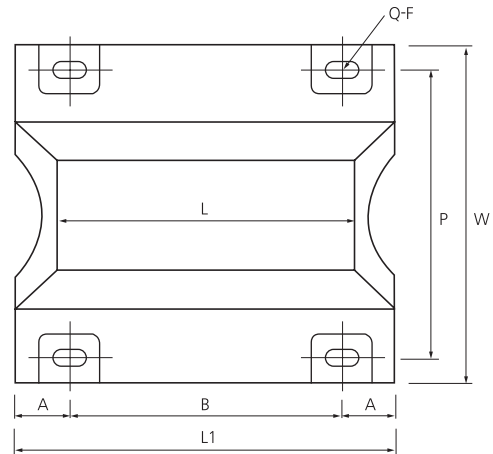
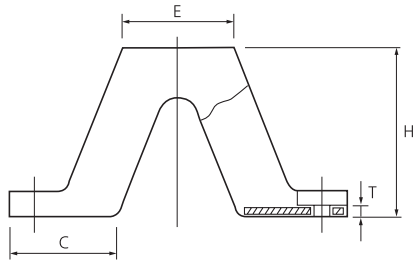
Dimension

Unit : mm

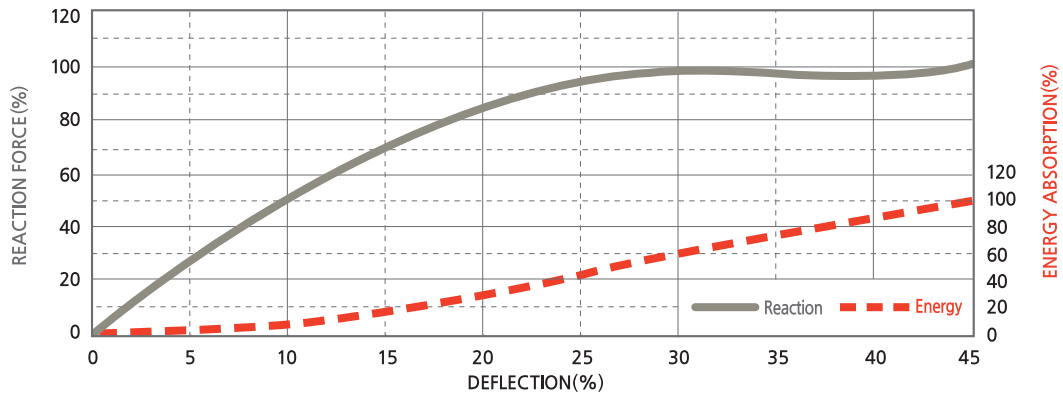
H	F	P	W	C	E	T	L=1000	L=1500	L=2000	L=2500	L=3000	L=3500
							(Q=4)	(Q=6)	(Q=8)	(Q=8)	(Q=10)	(Q=12)
							A	A	A	A	A	A
							B	B	B	B	B	B
							L1	L1	L1	L1	L1	L1
YOV 150	M22 (7/8")	240	300	96	97.5	17	110	112.5	107.5	110	107.5	110
							855	675 x 2	620 x 3	785 x 3	715 x 4	671 x 5
							1075	1575	2075	2575	3075	3575
YOV 200	M24 (1")	320	400	128	130	17	120	120	120	122.5	120	120
							860	680 x 2	620 x 3	785 x 3	715 x 4	672 x 5
							1100	1600	2100	2600	3100	3600
YOV 250	M27 (1 1/8")	410	500	160	162.5	22	130	132.5	132.5	127.5	132.5	130
							865	680 x 2	620 x 3	790 x 3	715 x 4	673 x 5
							1125	1625	2125	2625	3125	3625
YOV 300	M30 (1 1/4")	490	600	192	195	23	140	140	137.5	140	145	140
							870	685 x 2	625 x 3	790 x 3	715 x 4	674 x 5
							1150	1650	2150	2650	3150	3650
YOV 400	M36 (1 1/2")	670	800	256	260	31	150	150	147.5	150	150	150
							900	700 x 2	635 x 3	800 x 3	725 x 4	680 x 5
							1200	1700	2200	2700	3200	3700
YOV 500	M42 (1 3/4")	840	1000	320	325	34	160	160	157.5	160	165	160
							930	715 x 2	645 x 3	810 x 3	730 x 4	686 x 5
							1250	1750	2250	2750	3250	3750
YOV 600	M48 (2")	1010	1200	384	390	40	170	170	167.5	170	170	170
							960	730 x 2	655 x 3	820 x 3	740 x 4	692 x 5
							1300	1800	2300	2800	3300	3800
YOV 800	M64 (2 1/2")	1340	1600	501	525	45	180	180	180	182.5	180	-
							1040	770 x 2	680 x 3	845 x 3	760 x 4	-
							1400	1900	2400	2900	3400	-
YOV 1000	M64 (2 1/2")	1680	2000	640	650	49	200	200	200	202.5	200	-
							1100	800 x 2	700 x 3	865 x 3	775 x 4	-
							1500	2000	2500	3000	3500	-

- Notes**
- Above detail dimension of components can be changed depending on owner specification and local environment condition.
 - Detail dimension will be guided by our drawing and specification.

| Drawing |



| Performance Curve |



| Performance Table |

·Tolerance : ±10%

Size	Rubber Grade Performance	R _H		R _M		R _L	
		R·F(kN)	E·A(kN-m)	R·F(kN)	E·A(kN-m)	R·F(kN)	E·A(kN-m)
YOV 150H		107.8	4.9	88.2	3.92	58.8	2.94
YOV 200H		147	9.8	117.6	7.84	78.4	4.9
YOV 250H		186.2	15.68	147	11.76	98	7.84
YOV 300H		225.4	21.56	166.6	15.68	117.6	9.8
YOV 400H		294	39.2	235.2	29.4	156.8	19.6
YOV 500H		372.4	60.76	294	45.08	186.2	29.4
YOV 600H		441	88.2	333.2	63.7	235.2	39.2
YOV 800H		588	156.8	470.4	117.6	313.6	78.4
YOV 1000H		735	245	588	176.4	372.4	117.6

[Deflection 45%, Per 1m Length]

| Compression Test |



Notes

- Above detail performance of components can be changed depending on owner specification and local environment condition.
- Detail performance will be guided by our drawing and specification.