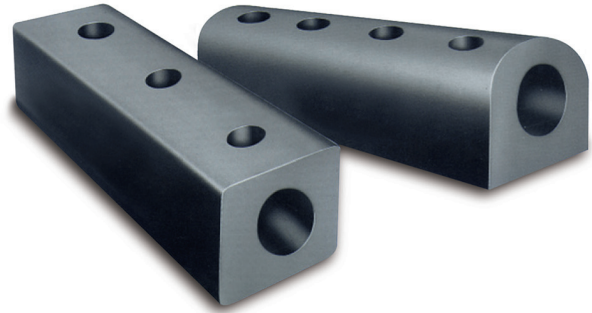


# Ship Fender

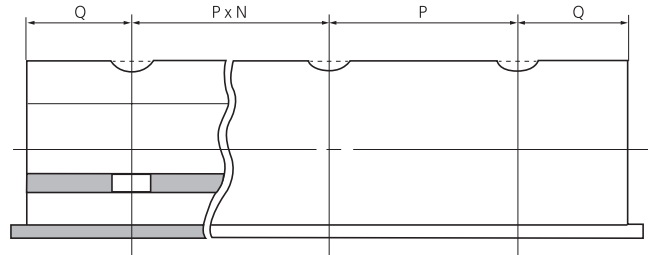
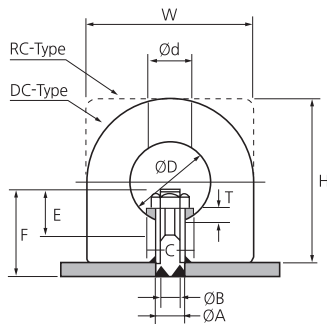
## DC Type & RC Type Fender

### Feature

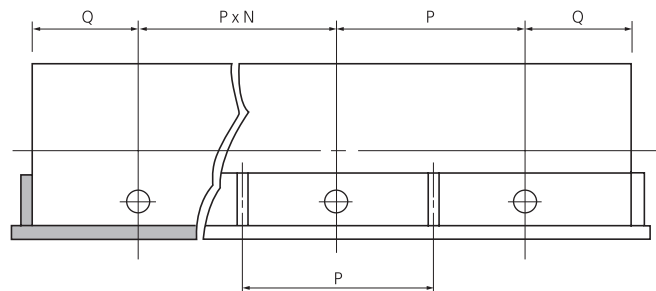
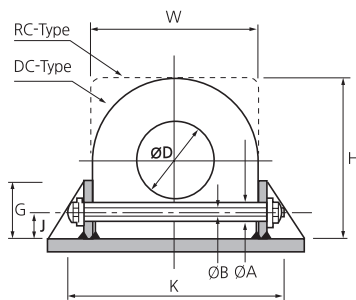
The fenders are commonly used on floating pontoons and inland waterways for lock protection.



### I Vertical Fitting Bolts Method I



### I Cross Fitting Bolts Method I



### I Dimension I

Unit : mm

Size	ØA	ØB	C	ØD	Ød	E	F	G	H	J	K	P	Q	T	W
150H×Ø75	22	19	50	75	60	40	80	60	150	26	220	250 ~ 350	150 ~ 200	16	150
200H×Ø100	25	22	65	100	65	50	95	75	200	35	280	250 ~ 350	150 ~ 200	19	200
250H×Ø125	28	25	80	125	70	60	112	100	250	43	350	250 ~ 350	150 ~ 200	22	250
300H×Ø150	32	28	90	150	80	70	132	125	300	52	400	250 ~ 350	150 ~ 200	25	300
400H×Ø200	36	32	100	200	90	80	180	150	400	70	520	250 ~ 350	150 ~ 200	28	400
500H×Ø250	42	38	120	250	100	90	210	175	500	88	640	250 ~ 350	150 ~ 200	32	500

**Notes** • Above detail dimension of components can be changed depending on owner specification and local environment condition.  
• Detail dimension will be guided by our drawing and specification.