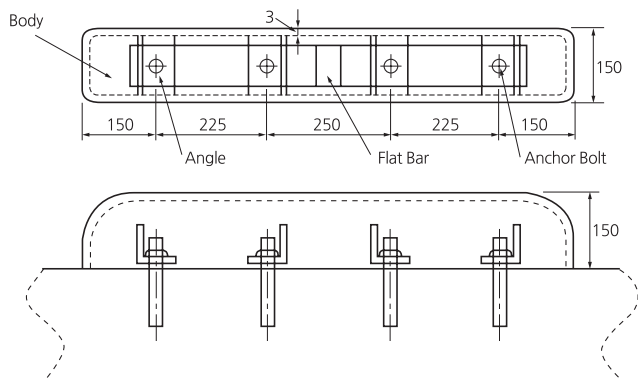


# Misc & Accessories

## Stainless Car stopper

### | Drawing |



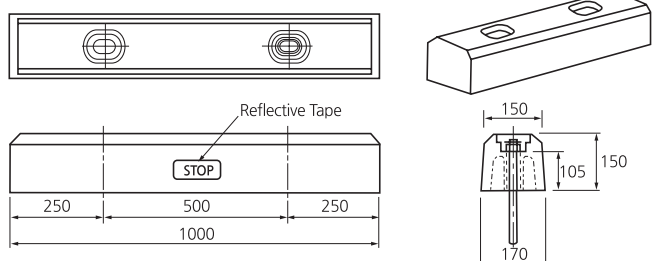
### | Dimension |

Size	Description	MAT'L	Q'ty				
			1.0m	1.5m	2.0m	2.5m	3.0m
150HWx3T	Body	STS304	10	1	8	3	10
75x75x6T	Angle	SS400	4	6	8	12	12
80x50x3T	Flat Bar	STS304	1	2	3	4	5
M20x250L	Anchor Bolt	SS400	4	6	8	10	12

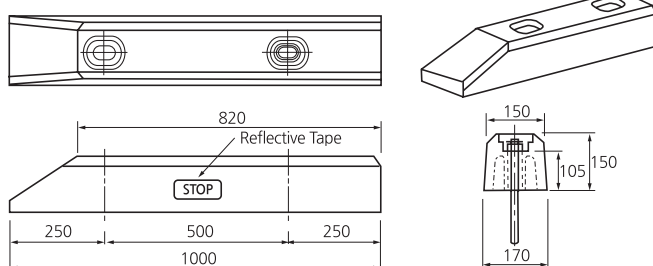
## P.E Car Stopper

### | Drawing |

#### TYPE-A



#### TYPE-B



### | Dimension |

Size	Description	MAT'L	Type-A		Type-B	
			Q'ty	Color	Q'ty	Color
150Hx170Wx1000L	Body	P.E	1	Black, Yellow	1	Black, Yellow
M20	Anchor Bolt	STS304	2	-	2	-
-	CAP	P.E	2	-	2	-

- Notes**
- Tolerance
  - Length, width, height : (+)4%, (-)2%
  - Thickness : (+)4%, (-)2%
  - Bolt hole : (±)2mm, Bolt P.C.D : (±)2mm

## Rubber Car Stopper

### | Drawing |

